

Bilateral-loading container >

2Side System® 3600

Technical Specifications ✓

Manufactured from rotational-moulded high-density linear polyethylene, mass-coloured and stabilised against the combined action of UV rays and water.

It is manufactured using environmentally-friendly, recyclable materials.

No heavy metals are used in the pigments.

The body is ribbed to make it robust and resistant.
Exclusive design by **CONTENÜR**.

Customised containers for each type of waste collection: glass, paper, plastics, organic, etc.

Product certified in accordance with the European standard EN 13071.



1800mm
Width



1600mm
Height



1600mm
Length



230kg ±5%
Weight



3600l
Capacity



1440kg
Load

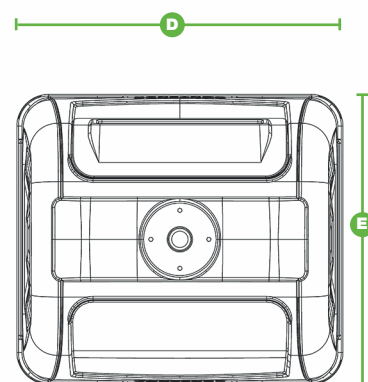
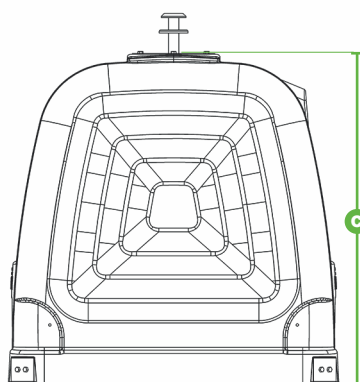
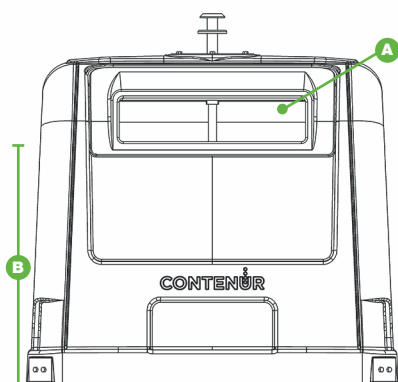


1180mm
Aperture height



900X200mm
Lid

Dimensions ✓



A > Rectangular aperture of 900X200 mm | **B** > 1180 mm | **C** > 1600 mm | **D** > 1800 mm | **E** > 1600 mm



Quality



Customised



Design



Accessible



Complies with standards



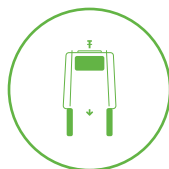
Equipment ▼

Mushroom hook lifting system.

Circular opening at a height of 1,180 mm from the ground.

The lifting/emptying system is corrosion resistant metal.

A silk screen graphic or sticker can be supplied on request, with a maximum size of 795x480mm.



Easy emptying



Mushroom



Innovative container



Apertures for different waste types



Fold-back/turning lids with a pedal option



Environmentally-friendly