

Bilateral-loading container >

## 2Side System<sup>®</sup> 2800

### Technical Specifications ✓

Manufactured from rotational-moulded high-density linear polyethylene, mass-coloured and stabilised against the combined action of UV rays and water.

It is manufactured using environmentally-friendly, recyclable materials.

No heavy metals are used in the pigments.

The body is ribbed to make it robust and resistant.  
Exclusive design by **CONTENUR**.

Customised containers for each type of waste collection: glass, paper, plastics, organic, etc.

Product certified in accordance with the European standard EN 13071.



**1450mm**  
Width



**1600mm**  
Height



**1600mm**  
Length



**350mm**  
Aperture diameter



**197 kg ±5%**  
Weight



**2800l**  
Capacity



**1120kg**  
Load

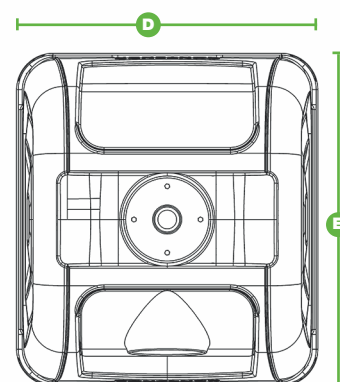
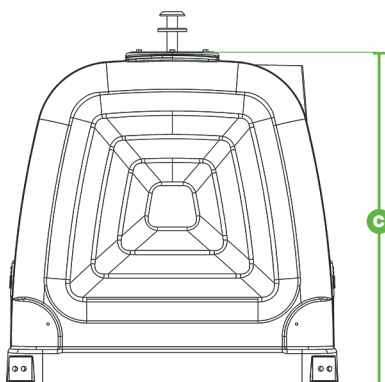
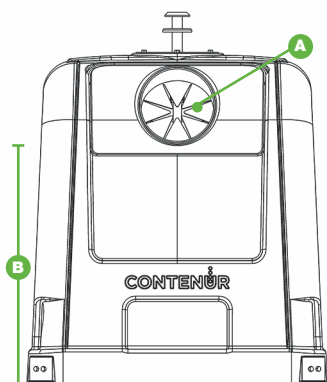


**1180mm**  
Aperture height



**650x400mm**  
Lid

### Dimensions ✓



A > Aperture: Ø 350 mm | B > 1180 mm | C > 1600 mm | D > 1450 mm | E > 1600 mm



Quality



Customised



Design



Accessible



Complies with standards



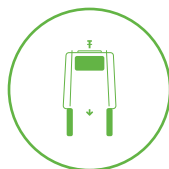
## Equipment ▼

Mushroom hook lifting system.

Circular opening at a height of 1,180 mm from the ground.

The lifting/emptying system is corrosion resistant metal.

A silk screen graphic or sticker can be supplied on request, with a maximum size of 795x480mm.



Easy emptying



Mushroom



Innovative container



Apertures for different waste types



Fold-back/turning lids with a pedal option



Environmentally-friendly